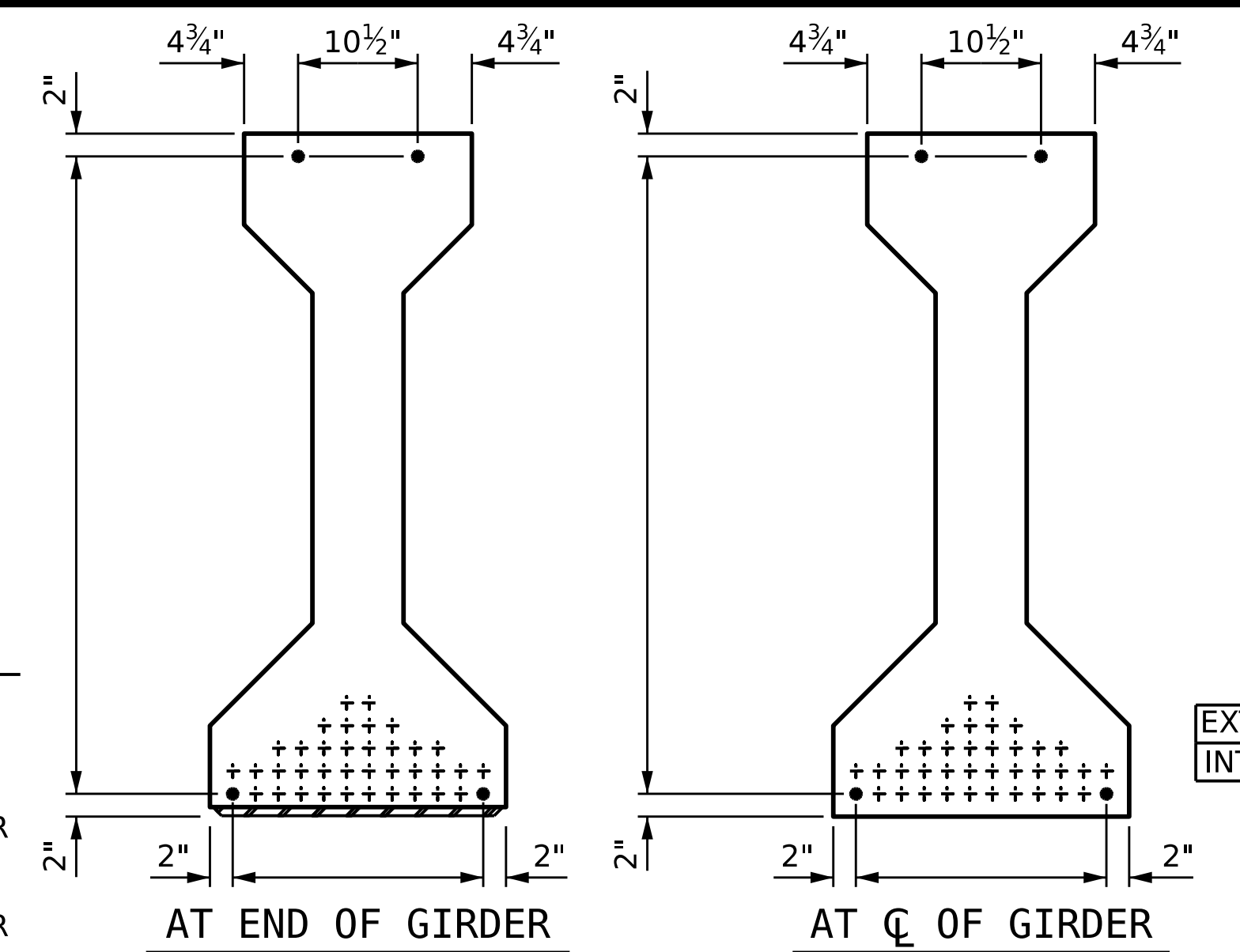


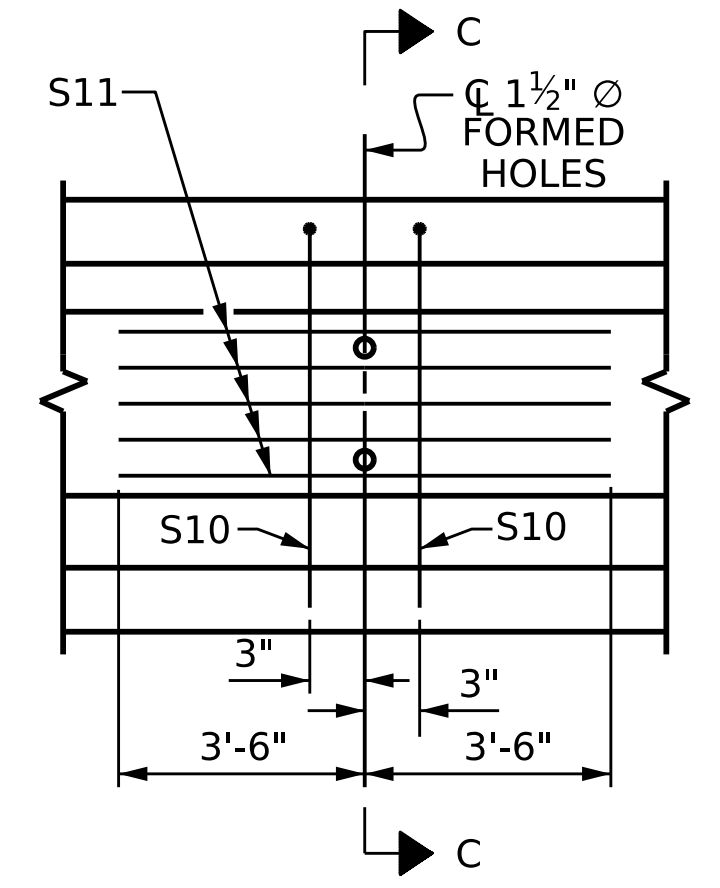
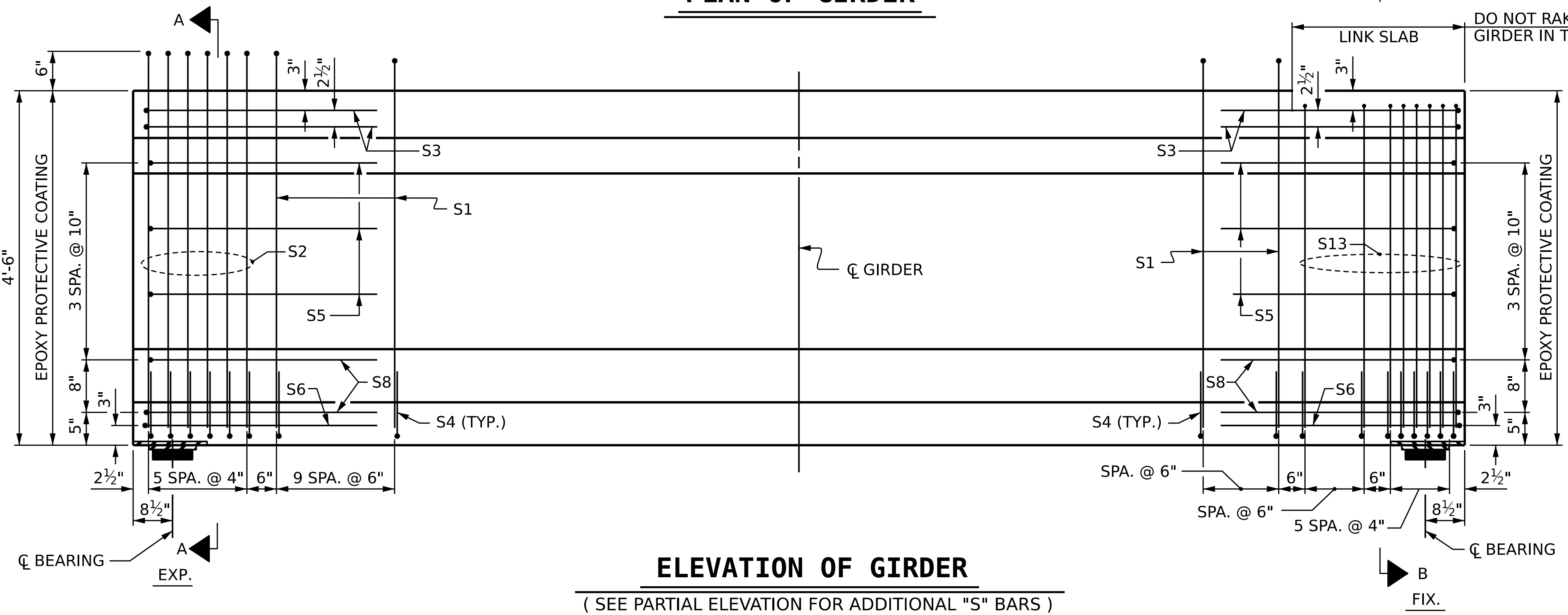
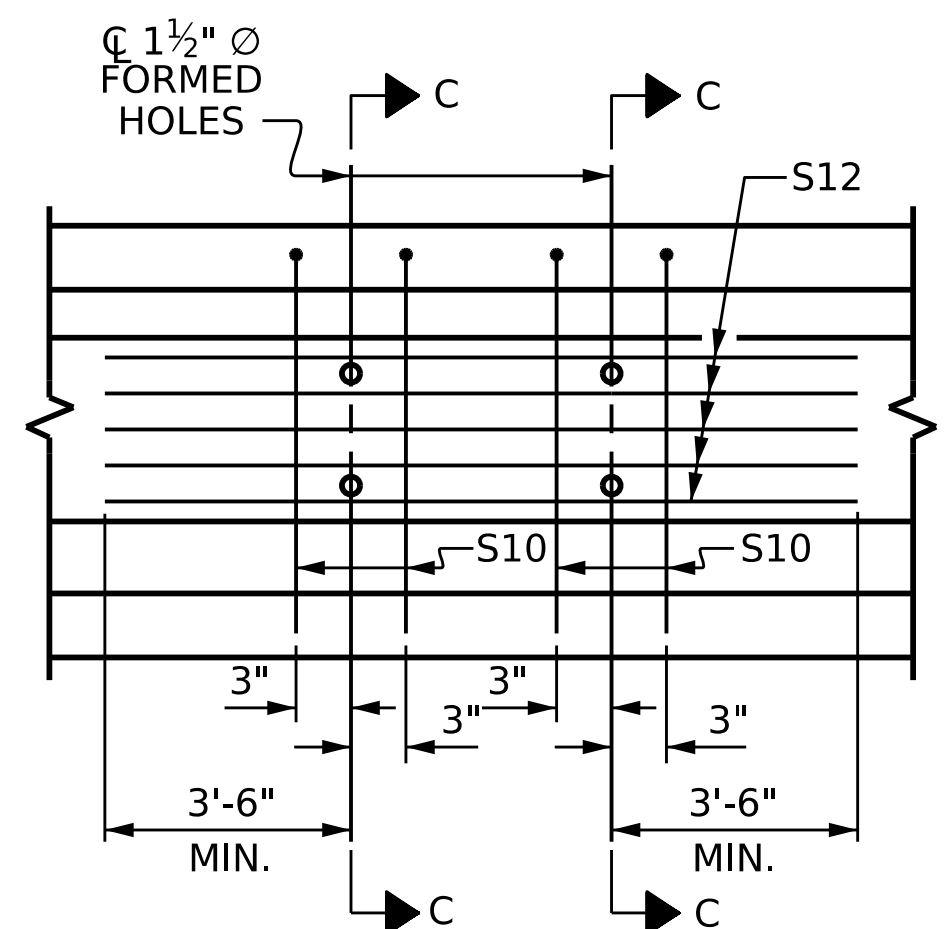
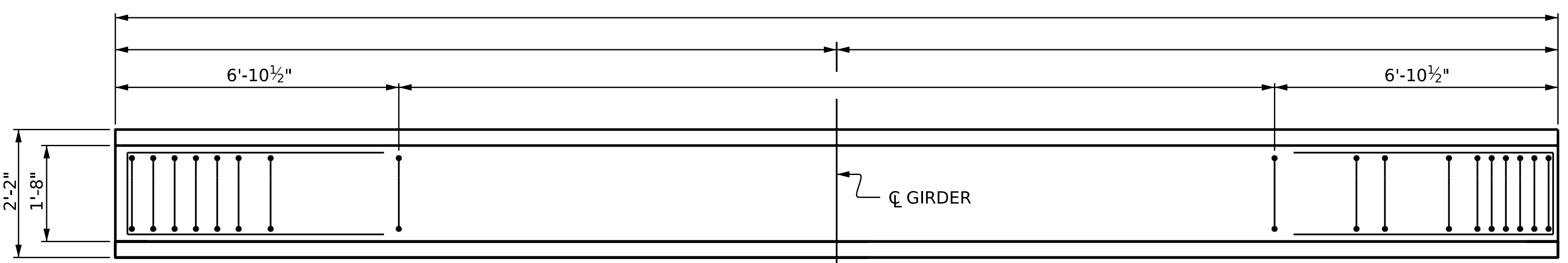
1 1/2" Ø FORMED HOLE
 (SEE FRAMING PLAN FOR LOCATION)

DEBONDING LEGEND

- FULLY BONDED STRANDS
- ◻ STRANDS DEBONDED FOR 4'-0" FROM END OF GIRDER
- ◡ STRANDS DEBONDED FOR 6'-0" FROM END OF GIRDER
- ◉ STRANDS DEBONDED FOR 8'-0" FROM END OF GIRDER
- ◊ STRANDS DEBONDED FOR 10'-0" FROM END OF GIRDER
- ⊕ STRANDS DEBONDED FOR 12'-0" FROM END OF GIRDER

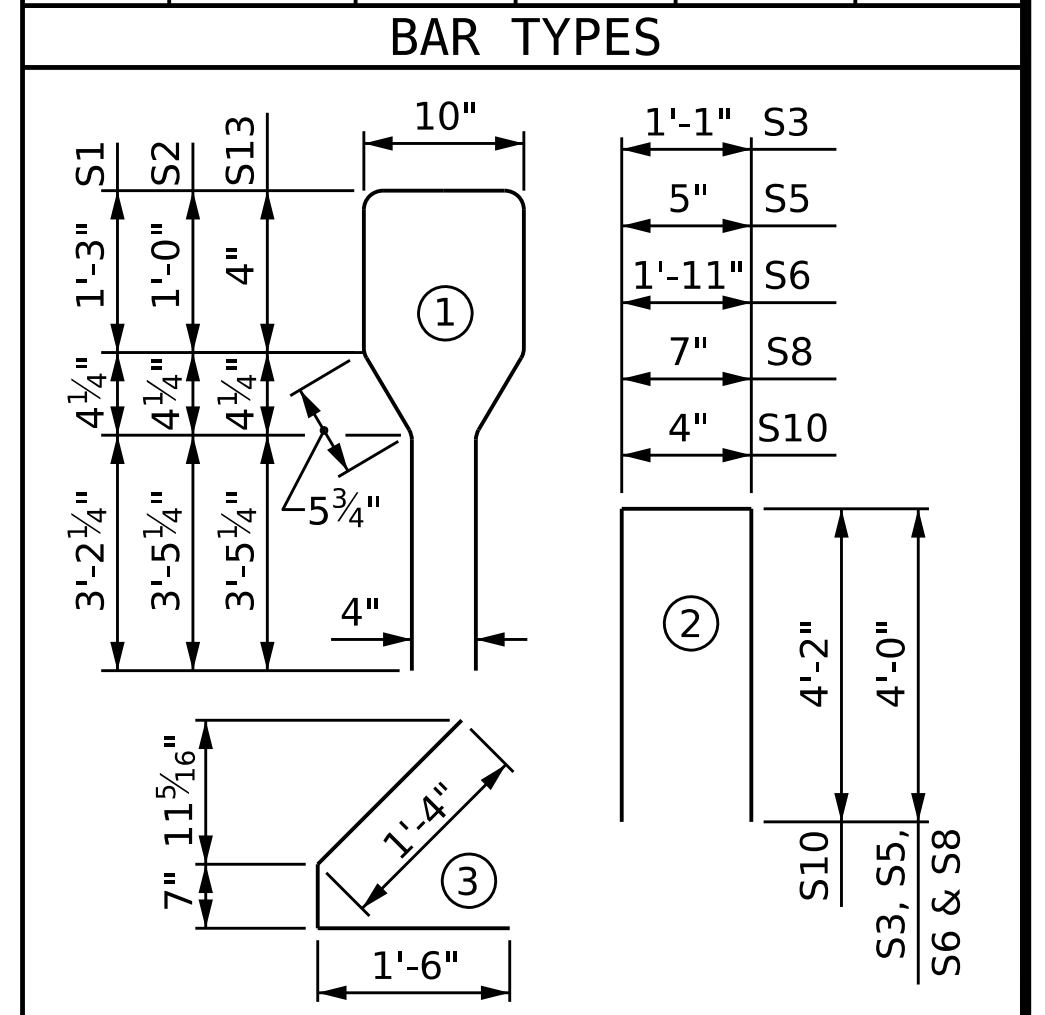


EXTERIOR GDR.
 INTERIOR GDR.



0.6" Ø L.R. GRADE 270 STRANDS		
AREA (SQUARE INCHES)	ULTIMATE STRENGTH (LBS. PER STRAND)	APPLIED PRESTRESS (LBS. PER STRAND)
0.217	58,600	43,950

REINFORCING STEEL FOR ONE GIRDER					
BAR	NUMBER	SIZE	TYPE	LENGTH	WEIGHT
S1		#4	1	10'-8"	
S2	6	#6	1	10'-8"	96
S3	4	#4	2	9'-1"	24
S4	64	#4	3	3'-5"	146
S5	6	#4	2	8'-5"	34
S6	2	#4	2	9'-11"	13
S8	4	#4	2	8'-7"	23
S10		#5	2	8'-8"	
S11		#4	STR	7'-0"	
S		#4	STR		
S13		#6	1	9'-4"	



ALL BAR DIMENSIONS ARE OUT-TO-OUT

QUANTITIES FOR ONE GIRDER			
	REINFORCING STEEL	PSI CONCRETE	0.6" Ø L.R. STRANDS
	LB.	C.Y.	No.
EXT. GIRDER			
INT. GIRDER			

GIRDERS REQUIRED		
NUMBER	LENGTH	TOTAL LENGTH

PROJECT NO. _____
 COUNTY _____
 STATION: _____
 SHEET OF _____

STATE OF NORTH CAROLINA
 DEPARTMENT OF TRANSPORTATION
 RALEIGH

STANDARD

AASHTO TYPE IV PRESTRESSED CONCRETE GIRDER - LINK SLAB

ASSEMBLED BY : _____ DATE : _____
 CHECKED BY : _____ DATE : _____
 DRAWN BY : BNB 09/21
 CHECKED BY : AAI 09/21

DOCUMENT NOT CONSIDERED FINAL UNLESS ALL SIGNATURES COMPLETED

REVISIONS				SHEET NO.
NO.	BY:	DATE:	NO.	DATE:
1			3	
2			4	